



EOIR GIMBAL CAMERA

Detect - Respond - Secure

KEY FEATURES

- ▶ Gyro-stabilized EO/IR camera
- ▶ Advanced image stabilization
- ▶ Geo-referencing, tracking and mapping
- ▶ Automatic detection & tracking
- ▶ Light weight
- ▶ Low power consumption
- ▶ User friendly GCS



HC ROBOTICS PVT. LTD.

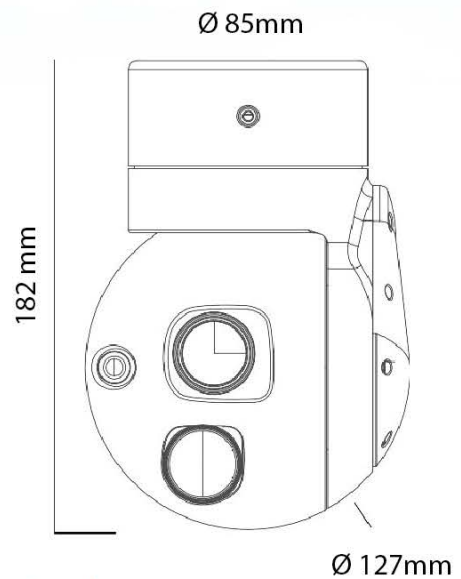
1-90-2/10/E, Narayani Mansion, Vittal Rao Nagar, Madhapur,
Hyderabad - 500081. Telangana. India. Phone: +91(40)49534555, Fax: +91(40)-4994 86 82
Email: info@hcrobo.com; www.hcrobo.com

PHYSICAL

- ▶ Weight: 950 g
- ▶ Height: 182 mm
- ▶ Min diameter: 85 mm (main body)
- ▶ Max diameter: 127 mm
- ▶ Pan : 360° / Tilt: 360°

POWER

8V to 36V, typ. 10W - max 20W
 Reverse polarity protection



SENSORS (STANDARD CONFIGURATION)



- ▶ Day light camera: Full HD, Optical zoom x30 (FOV 63,7° -> 2,3°)
- ▶ Infrared camera: 640x480 pixels
- ▶ Lens option: 13, 19, 35 mm
- ▶ Option: Laser pointer

COMMUNICATION / VIDEO OUTPUTS

- ▶ RS232
- ▶ Daylight: SDI
- ▶ Infrared: CVBS / SDI
- ▶ Simultaneous channels stream

DRI PERFORMANCES:

■ Detection ■ Recognition ■ Identification

	 Human size 1.7m	 Vehicle size 2.3m X 2.3m
EO	>10/3.1/1.5km	>20/9.5/4.3km
IR	1.03/0.31/0.22km	2.4/0.74/0.41km

*upon atmospheric conditions



HC ROBOTICS PVT. LTD.

1-90-2/10/E, Narayani Mansion, Vittal Rao Nagar, Madhapur,
 Hyderabad - 500081. Telangana. India. Phone: +91(40)49534555, Fax: +91(40)-4994 86 82
 Email: info@hcrobo.com; www.hcrobo.com